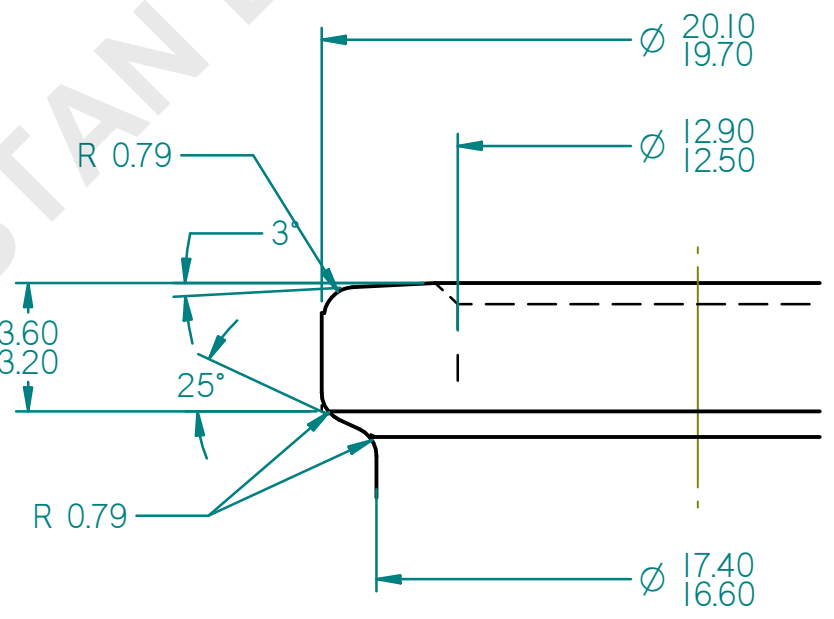
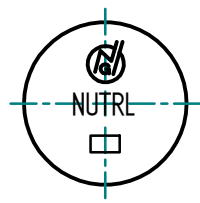
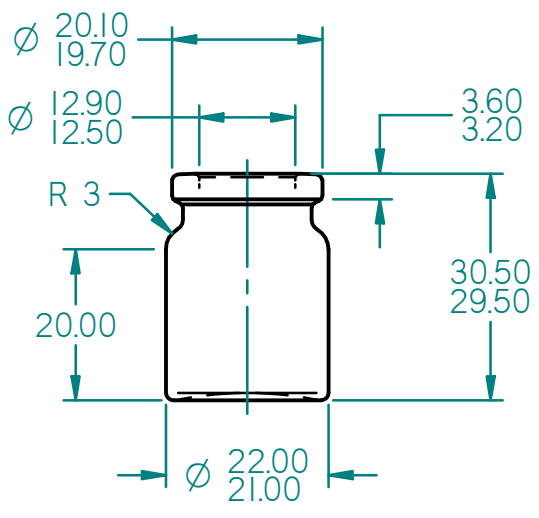


RELEASE

DATE:

COMPANY:



FINISH : 20 mm STD.

Protective note ISO 16016 observed

GENERAL TOLERANCES DIN 6129-1 (DIMENSIONS WITHOUT TOLERANCES ARE FOR REFERENCE ONLY)				FINISH: 20 mm STD.		O'FLOW CAPACITY: 5.00 - 6.00 ml		ARTICLE NO.: 5151020100			
				FINISH DWG: N.A.		WEIGHT: 10.5 g Approx.					
				FINISH MOLD NO: 910		TYPE OF GLASS: I COLOUR: FLINT					
				DATE	NAME	TITLE: 3 ml NATIONAL					
				DRAWN	20/11/2013					Paresh	
				CHECKED	20/11/2013					H.B.P.	
				SCALE	1 : 1, 5 : 1						
				GERRESHEIMER NEUTRAL GLASS & ALLIED INDS. PVT. LTD. MUMBAI / KOSAMBA			MOLD NO.:	DRAWING NO.:	REVISION	SHEET	FORMAT
							031	B 1020	0	1 OF 1	A4
REV.	CHANGE	DATE	NAME			FILE: 3 ml National.dft					